

CLEANING AND STORAGE

Fig 2



I CLEANING

CAUTION: DO NOT LEAVE SPRAYER FILLED WITH PRODUCT OR WATER WHEN NOT IN USE OR OVERNIGHT. REMOVE BATTERY BEFORE CLEANING. CLEAN WITH WATER ONLY, DO NOT USE WHITE SPIRIT OR OTHER SOLVENTS.

NOZZLE: Remove nozzle retainer and wash thoroughly all nozzle components including the nozzle filter (4) under running water using a soft nail brush to remove any product. Check to see if nozzle holes are clear of any product. Do not use wire, pins or similar sharp objects to clean or unblock the nozzle. This will lead to damage and a poor spray pattern. Do not allow product to dry as this will block nozzle components. Remove nozzle elbow (5) and clean thoroughly under running water.

TANK: Remove tank from pump body by releasing lock button (22)(see Fig 2). Pour any remaining product back into the original pack. Rinse out tank thoroughly and wipe off any product from the base and the main pump body with a cloth.

INNER PIPES: Fill the now clean sprayer tank with 5 litres of water and reattach to the pump body. Do not replace nozzle elbow and nozzle components back on the lance during this operation. Switch on the **Power Sprayer** and allow the liquid to flow through into an empty container and then

flush down a sink. Do not dispose of washings into drains or watercourses. Continue pumping water until the waste water runs clear (this might take 3-5 minutes) refilling the sprayer tank with clean water if necessary.

SUCTION PIPE AND INLET FILTER: Remove suction pipe and inlet filter (25-29) and clean under running water with a soft brush to ensure all product is removed especially from the inlet filter (29).

To avoid losing smaller components we recommend storing the **Power Sprayer** fully assembled. Reassemble the nozzle and attach to the nozzle elbow and lance before storing.

J STORAGE

CAUTION: ENSURE SPRAYER IS THOROUGHLY CLEANED AND DRY BEFORE STORAGE.

The **Cuprinol Power Sprayer** has been designed to operate with minimum maintenance. Continuous satisfactory operation depends upon proper care and cleaning after use. Retain this user guide for future reference (new copy may be downloaded from www.cuprinol.co.uk)

Store the **Power Sprayer** and charger in dry conditions. Do not store the **Power Sprayer** with any remaining water in the pump or in extreme temperatures.

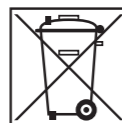
OTHER INFORMATION

CHARGERS

Only use the rechargeable battery with the charger as supplied. Never attempt to recharge non rechargeable batteries. Do not expose to water. Do not open the charger.

BATTERIES

Do not attempt to open the battery for any reason. Under extreme conditions, battery leakage may occur. If you notice liquid on the battery wipe off using a cloth avoiding skin and eye contact. Do not re-use battery. Do not incinerate battery. Fire hazard! Do not short circuit contacts of a detached battery for any reason. Dispose of batteries at your local recycling centre. Do not store the battery in any location where temperatures may exceed 40°C. Only charge the battery at ambient temperatures of between 4°C and 40°C using the charger provided.



1 YEAR GUARANTEE

The guarantee is valid for 1 year from date of purchase and covers the complete **Cuprinol Power Sprayer**. We will repair the **Cuprinol Power Sprayer** or replace free of charge if it is faulty due to a manufacturing or material fault. The guarantee does not cover the application of the **Cuprinol** Fence Treatment, Decking Treatment, Total Garden Wood Treatment and Garden Shades. The following are specifically excluded from the terms and conditions of this guarantee:

- Damage caused by misuse or improper handling of the **Cuprinol Power Sprayer** or not used in accordance with the instructions.

- Normal "wear and tear"
- Damage suffered through negligence, wilful damage, improper use or accidental damage.
- Any modifications made by the purchaser to the **Cuprinol Power Sprayer** or repairs carried out by an unauthorised service agent.
- Damage caused by immersion in water, damp, fire, natural light and atmospheric conditions.

This guarantee does not affect your statutory rights.

TO MAKE A CLAIM UNDER THE GUARANTEE

Return the sprayer to the store where purchased together with proof of purchase, or call the ICI Customer Advice Centre for further details. If returning the **Cuprinol Power Sprayer**, use the original packaging or a similar box to prevent further damage.

FOR TECHNICAL PRODUCT ADVICE CONTACT:

The Customer Advice Centre
ICI Paints, Wexham Road, Slough, SL2 5DS
Telephone 0870 444 1111
www.cuprinol.co.uk

FOR REPUBLIC OF IRELAND:

Dulux Paints (Ireland) Ltd,
Commons Road, PO Box 45, Cork
Telephone +353 (0)21 422 0222

Cuprinol, the tree device, **Cuprinol Power Sprayer**, **Garden Shades**, **Cuprinol Total** and the distinctive livery are trade marks of Imperial Chemical Industries Plc. © ICI 2006 (11/06)

Cuprinol

POWER SPRAYER™

USER GUIDE

Thank you for purchasing the **Cuprinol Power Sprayer**. Please read all the instructions in this user guide before using this product and retain them for future use.

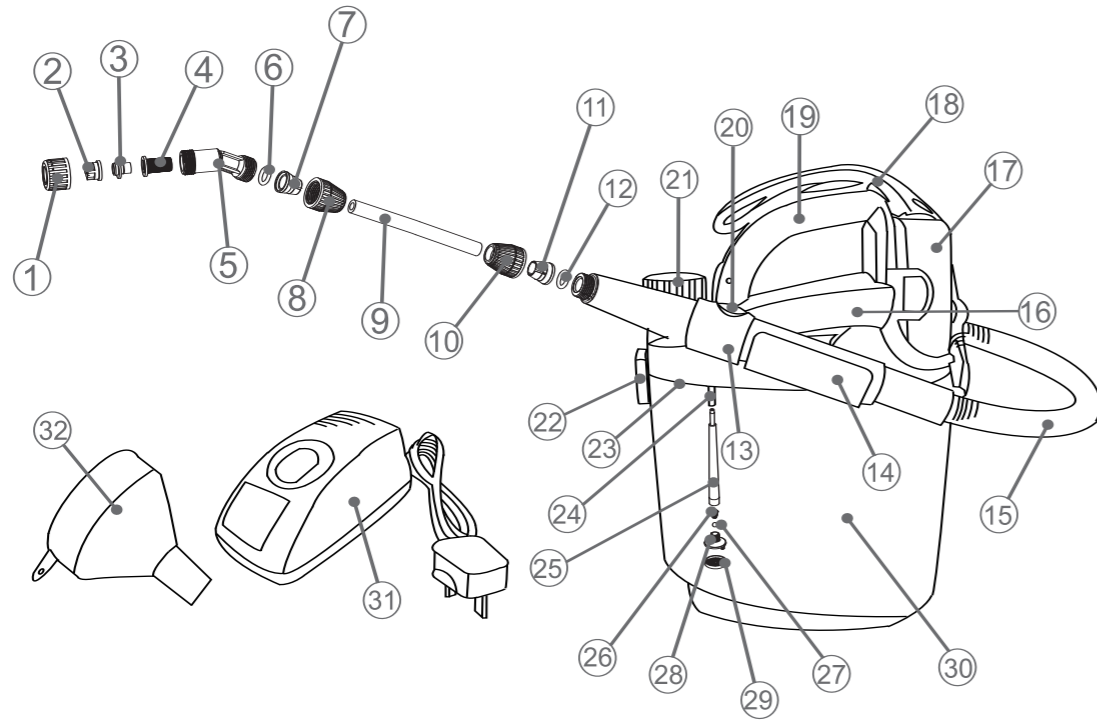


Visit our website
www.cuprinol.co.uk
for a useful step by step
product demonstration

The **Cuprinol Power Sprayer** has been specially designed for use with **Cuprinol Sprayable Plus 5 Year Fence Treatment**, **Cuprinol Sprayable Fence Treatment**, **Cuprinol Sprayable Decking Treatment**, **Cuprinol Total Garden Wood Treatment** and **Cuprinol Garden Shades**.

The **Cuprinol Power Sprayer** is not intended for use with any other treatment, either water-based or solvent-based and is not to be used with solvent based wood preservers, creosote or creosote alternatives. It is not intended to be used with any agrochemicals (insecticides, fungicides, herbicides) or any application other than the recommended treatments. **It must under no circumstances be used with flammable fluids.** Using the **Cuprinol Power Sprayer** for application of products other than those listed above could damage it and will invalidate the guarantee. This guarantee does not affect your statutory rights.

PARTS LIST



1. Nozzle retainer	8. Cone nut (A)	15. Hose	22. Lock button	29. Inlet filter
2. Nozzle	9. Lance	16. Top housing	23. Tank cover	30. Tank
3. Pre-orifice	10. Cone nut (B)	17. Battery pack	24. Suction tube	31. Charger
4. Nozzle filter	11. Cone (B)	18. Carrying shoulder strap	25. Suction pipe	32. Funnel
5. Nozzle elbow	12. Round gasket (B)	19. Carrying handle	26. Valve spring	
6. Round gasket (A)	13. Handle	20. ON/OFF switch	27. Valve ball	
7. Cone (A)	14. Handle holder	21. Tank cap	28. Suction head	

HOW TO USE

KEY PRECAUTIONS

May take up to one minute to release the fluid from the nozzle on first use
 Do not look down the nozzle whilst the sprayer is switched on
NEVER use with solvent based products
 Wear eye protection when spraying
 Do not switch on unless filled with product or water
 Do not point at self or others whilst in use
 Keep children, bystanders and pets away during use
 Always check and test with water before each use
 Read and comply with all instructions and precautions on product labels
 Use only with **Cuprinol** products recommended
 Do not overfill
 Do not immerse pump component fully in water
 Store clean and empty
 Do not modify this unit
 Do not connect to an external pressure source
 Do not use if components are excessively worn
 Use only with batteries supplied, do not connect to external power source
 For further advice contact the ICI Customer Advice Centre on 0870 444 1111

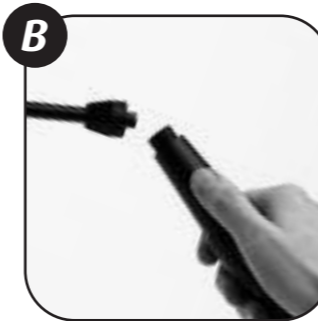
TROUBLESHOOTING

- If the **Power Sprayer** stops operating, then it is possible that the battery has run down. This will occur after 30-40 mins. Please recharge the battery using the battery charger supplied.
- If the **Power Sprayer** produces a poor quality spray, then either the nozzle (2) or suction pipe and inlet filter/valve (25-29) may be blocked. Turn off the **Power Sprayer**, remove the nozzle, clean in water (see cleaning) and carefully reassemble. Repeat for the suction pipe and inlet filter (25-29).
- If the **Power Sprayer** is still pumping but there is no spray from the nozzle, it is possible that either:
 - The nozzle is blocked (see cleaning)
 - An air lock has occurred in the pump. This may occur if the suction pipe is exposed above the level of the fluid in the tank. Under these circumstances, turn off the **Power Sprayer**, unscrew the nozzle and drain the contents of the lance back into the **Power Sprayer** tank. Hold the main pump unit in one hand and at the same time hold the lance with the other hand below the level of the pump unit. Switch on and keep running until no fluid is sprayed from the lance (see Fig 1). Carefully reassemble the nozzle, ensuring all the fittings are tight prior to use but do not use a spanner or similar tool to tighten. Reattach to the tank then restart the **Power Sprayer**. Please note, it may take 2-3 minutes for fluid to be released from the nozzle.



A CHARGING BATTERY

A new battery is not fully charged and must therefore be charged before the sprayer is used for the first time (approx. 1½ hours). Remove the battery from the **Power Sprayer** unit by simultaneously depressing the battery release buttons on either side of battery, with thumb and forefinger and gently pull out the battery from the battery pack holder. Insert battery into the charger supplied and place on a dry surface within 1 metre of a 240V socket. Connect and switch mains on (see picture A). Once the battery is fully charged, the red indicator on the charger goes out and the green indicator on the charger lights up. When re-charging allow 1½ hours for the battery to become fully charged. Insert the battery back into sprayer body. One full charge will give up to 30 minutes of continuous spraying (approximately 10 litres of fluid) which is sufficient for approximately 12 fence panels. Recharge the battery before each use.



B ASSEMBLY OF COMPONENTS

CAUTION: DO NOT RUN THE SPRAYER DRY (I.E. WITHOUT PRODUCT OR WATER)
ON INITIAL USE: The majority of components are assembled, however you will need to attach the lance (9) **SECURELY** to the handle (13) to avoid leaks during use (see picture B). Ensure all fittings are tight prior to use but do not use a spanner or similar tool to tighten.



C WATER TESTING

Test for proper assembly and tightness of hose by filling with water and doing a test spray. This is also important to prepare the pump for the fence treatment fluid. The amount of water in the tank must be at least 3 litres (to ensure that the suction pipe is fully immersed guarding against air locks). Fill by removing the tank cap (21) from the pump body and use the funnel supplied (32). The **Power Sprayer** is switched on by depressing the switch on the handle (20). Continuous pressure must be applied for the **Power Sprayer** to work - releasing the switch will stop the sprayer. It is important to note that the spray may not emerge immediately as it takes up to a minute for the fluid to reach the nozzle.
DO NOT LOOK DOWN THE NOZZLE WHILST THE SPRAYER IS SWITCHED ON.



Once water is released from the nozzle, you only need to test spray for 1 minute.
ON REUSE AND AFTER STORAGE: Check all component parts are free of excessive wear and tear; worn parts must not be used. Check for damage to unit and attachments. If damaged do not use. When re-assembled check the system by spraying water before using **Cuprinol** fluid, to ensure there are no leaks (as per instructions for initial use).



D FILLING WITH FLUID

Ensure you have tested the **Power Sprayer** with water prior to filling the product (see step C above). **SHAKE OR STIR BOTTLE/TIN OF YOUR SELECTED CUPRINOL FLUID THOROUGHLY BEFORE OPENING.**



Remove the tank cap (21) from the **Power Sprayer** spout and, using the funnel supplied (32), pour contents into the **Power Sprayer** (see picture D). When filling the **Power Sprayer** for the first time a minimum of 3 litres of fluid is needed to allow the pump to prime effectively. Please note that the **Power Sprayer** is designed to hold one 5 litre bottle/tin of fluid. When refilling take care not to overfill, as not all product in the tank will have been sprayed. Wipe any fluid from the screw thread on the spout and replace cap.

E SPRAYING

When first using the Power Sprayer with Cuprinol products, the pump may take up to a minute to release the fluid from the nozzle. Do not look down the nozzle whilst the Power Sprayer is switched on. Place the **Power Sprayer** shoulder strap (18) over your head and rest across your body, placing the tank behind you. For best results keep the sprayer nozzle approximately 15 to 30cm (6 to 12") from the surface to be coated.

F SPRAYING TECHNIQUE

Using a slow, sweeping motion, spray horizontally across the area to be coated by turning at the end and overlapping approximately half of the previous pass each time (see picture F). This should ensure that you achieve an even finish. An alternative technique for spraying large areas such as sheds or summerhouses, is to adopt a small circular motion, rather than spraying in a horizontal line. As with any sprayer it may take a couple of minutes to perfect your technique. Vary the distance of the nozzle from the surface of the wood until you get the best finish. Begin slowly and increase the pace as you get used to spraying. Take care not to spray too quickly as this may result in an uneven finish. Similarly, spraying too slowly will result in excess product being applied causing runs. Should this happen, simply even out with a brush.
 The **Cuprinol Power Sprayer** has a very controlled spray pattern, however, as with any spray product a limited amount of overspray will be created. This can be minimised by avoiding spraying in windy conditions and by using cardboard or plastic as a shield. Masking off windows, doors, patios, brickwork, gutters, downpipes, fascias, drains, plants etc., is recommended when spraying outdoor buildings such as sheds and summerhouses. Any overspray should be cleaned up **immediately**, whilst still wet, with water and household detergent if necessary. Excessive spillage on plants should be rinsed off **immediately** before drying. If the **Power Sprayer** stops spraying, check if the battery needs charging, if the nozzle has become blocked (see cleaning) or if an airlock has occurred (see troubleshooting).

G REFILLING

Switch off sprayer and refill using procedure in step D. Take care not to overfill.
CAUTION: DO NOT TAMPER WITH THE SPRAYER WHEN IT IS SWITCHED ON AT ANY STAGE.

H FINISHING

Any unused fluid can be removed from the **Cuprinol Power Sprayer** and retained for future use. Simply unscrew the tank cap (21) from the pump body and pour the remaining product back into the original fluid container (see picture H).