

CLEANING AND STORAGE



I CLEANING

CAUTION: DO NOT LEAVE SPRAYER FILLED WITH PRODUCT OR WATER WHEN NOT IN USE OR OVERNIGHT. REMOVE BATTERIES BEFORE CLEANING SPRAYER TOP (UPPER HOUSING). CLEAN WITH WATER ONLY, DO NOT USE WHITE SPIRIT OR OTHER SOLVENTS.

NOZZLE: Remove nozzle retainer and wash thoroughly all nozzle components including the nozzle filter under running water using a soft nail brush to remove any product. Check to see if nozzle holes are clear of any product. Do not use wire, pins or similar sharp objects to clean or unblock the nozzle. This will lead to damage and a poor spray pattern. Do not allow product to dry as this will block nozzle components. Remove nozzle elbow and clean thoroughly under running water.

TANK: Remove tank from pump body by releasing lock button (see picture I). Pour any remaining product back into the original pack. Rinse out tank thoroughly and wipe off any product from the base and the main pump body with a cloth.

INNER PIPES: Fill the now clean sprayer tank with 5 litres of water and reattach to the pump body. Do not replace nozzle elbow and nozzle components back on the lance during this operation. Insert the batteries back into the box and close. Switch on the Fence & Decking Power Sprayer and allow the liquid to flow through into an empty container and then flush down a sink.

Do not dispose of washings into drains or watercourses. Continue pumping water until the waste water runs clear (this might take 3-5 minutes) refilling the sprayer tank with clean water if necessary.

SUCTION PIPE AND INLET FILTER: Remove suction pipe and inlet filter and clean under running water with a soft brush to ensure all product is removed especially from the inlet filter.

To avoid losing smaller components we recommend storing the Fence & Decking Power Sprayer fully assembled. Reassemble the nozzle and attach to the nozzle elbow and lance before storing.

J STORAGE

CAUTION: ENSURE SPRAYER IS THOROUGHLY CLEANED AND DRY BEFORE STORAGE. The Cuprinol Fence & Decking Power Sprayer has been designed to operate with minimum maintenance. Continuous satisfactory operation depends upon proper care and cleaning after use. Retain this user guide for future reference

(new copy may be downloaded from www.cuprinol.co.uk)

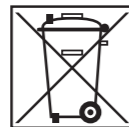
Store the Fence & Decking Power Sprayer in dry conditions. Do not store the Fence & Decking Power Sprayer with any remaining water in the pump or in extreme temperatures. Remove batteries from holder when not in use to prevent leakage damaging the sprayer.

OTHER INFORMATION

BATTERIES

Under extreme conditions, battery leakage may occur. If you notice liquid on the batteries wipe off using a cloth avoiding skin and eye contact. Do not re-use battery. Do not incinerate battery.

Fire hazard! Do not short circuit contacts of a detached battery for any reason. Dispose of batteries at your local recycling centre. Do not store the battery in any location where temperatures may exceed 40°C.



1 YEAR GUARANTEE

The guarantee is valid for 1 year from date of purchase and covers the complete Cuprinol Fence & Decking Power Sprayer.

We will repair the Cuprinol Fence & Decking Power Sprayer or replace free of charge if it is faulty due to a manufacturing or material fault. Nothing in this clause is deemed to exclude or restrict liability for death or personal injury resulting from the negligence of ICI Paints AkzoNobel.

The following are specifically excluded from the terms and conditions of this guarantee:

- The guarantee does not cover the application of the Cuprinol Sprayable Fence Treatments and Cuprinol Decking Oil & Protector^(WB).
- Damage caused by misuse or improper handling of the Cuprinol Fence & Decking Power Sprayer or not used in accordance with the instructions.
- Normal "wear and tear"
- Damage suffered through negligence, wilful damage, improper use or accidental damage.
- Any modifications made by the purchaser to the Cuprinol Fence & Decking Power Sprayer or repairs carried out by an

unauthorised service agent.

- Damage caused by immersion in water, damp, fire, natural light and atmospheric conditions.

This guarantee does not affect your statutory rights.

TO MAKE A CLAIM UNDER THE GUARANTEE

Call the ICI Paints AkzoNobel Customer Advice Centre for further details or return the sprayer to the store where it was purchased together with proof of purchase. If returning the Cuprinol Fence & Decking Power Sprayer, use the original packaging or a similar box to prevent further damage.

FOR TECHNICAL PRODUCT ADVICE CONTACT:

The Customer Advice Centre
ICI Paints AkzoNobel, Wexham Road, Slough, SL2 5DS
Telephone 08444 817 817
www.cuprinol.co.uk

FOR REPUBLIC OF IRELAND:

Dulux Paints Ireland Ltd
Unit J - South City Business Park, Killinarden, Tallaght, Dublin 24
Telephone 021 422 0222

FOR SPARES:

Contact the above advice centres or order online:
www.cuprinol.co.uk/spares

Cuprinol, the tree device, Cuprinol Power Sprayer, Cuprinol Sprayable, Ducksback and Garden Shades and the distinctive livery are trade marks of the AkzoNobel group of companies.

©AkzoNobel 2011 (03/11) MADE IN CHINA
UK Granted Patent: GB2426472

Cuprinol

FENCE & DECKING

POWER SPRAYER

USER GUIDE

Thank you for purchasing the Cuprinol Fence & Decking Power Sprayer. Please read all the instructions in this user guide before using this product and retain them for future use.

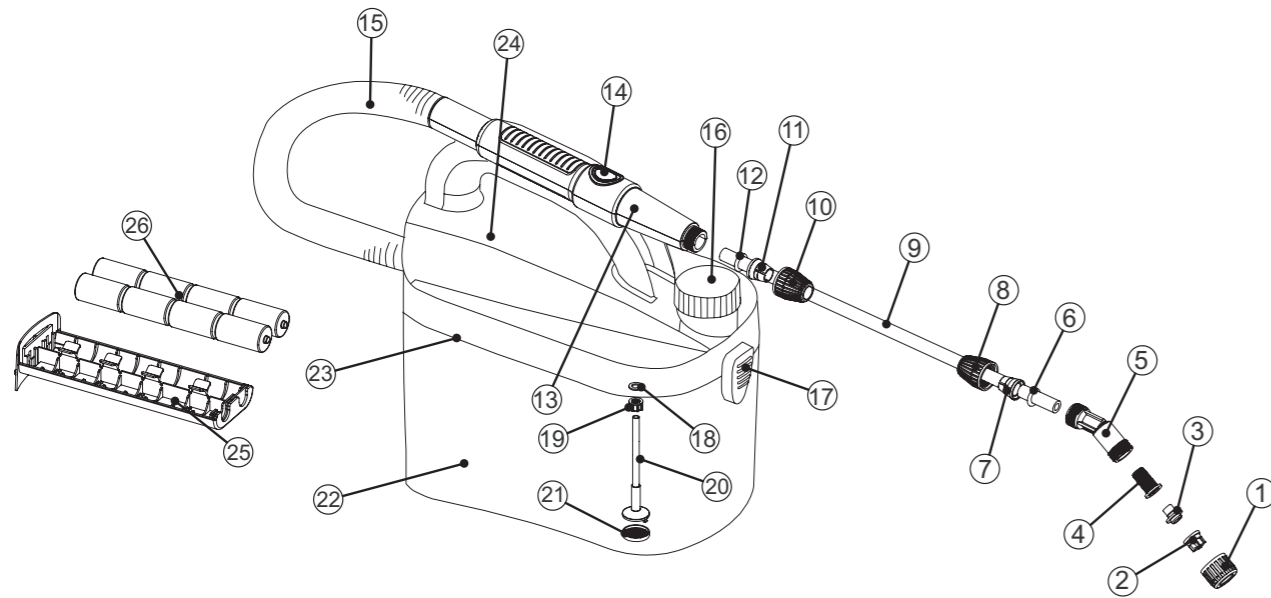
Visit our website
www.cuprinol.co.uk
for more useful
information



The Cuprinol Fence & Decking Power Sprayer has been specially designed for use with Cuprinol 5 Year Ducksback Sprayable Fence Treatment, Cuprinol Sprayable Fence Treatment and Cuprinol Decking Oil & Protector (WB).

The Cuprinol Fence & Decking Power Sprayer is not intended for use with any other treatment, either water-based or solvent-based and is not to be used with solvent based wood preservers, creosote or creosote alternatives. This sprayer is not suitable for spraying Cuprinol Garden Shades. It is not intended to be used with any agrochemicals (insecticides, fungicides, herbicides) or any application other than the recommended treatments. It must under no circumstances be used with flammable fluids. Using the Cuprinol Fence & Decking Power Sprayer for application of products other than those listed above could damage it and will invalidate the guarantee. This guarantee does not affect your statutory rights.

PARTS LIST



- | | | | | |
|---------------------|----------------------|-------------------|-------------------|-----------------|
| 1. Nozzle retainer | 7. Cone (A) | 13. Handle | 19. Nut | 25. Battery box |
| 2. Nozzle | 8. Cone nut (A) | 14. ON/OFF switch | 20. Suction Pipe | 26. Battery |
| 3. Pre-orifice | 9. Lance | 15. Hose | 21. Inlet filter | |
| 4. Nozzle filter | 10. Cone nut (B) | 16. Tank cap | 22. Tank | |
| 5. Nozzle elbow | 11. Cone (B) | 17. Lock button | 23. Tank cover | |
| 6. Round gasket (A) | 12. Round gasket (B) | 18. Rubber washer | 24. Upper housing | |

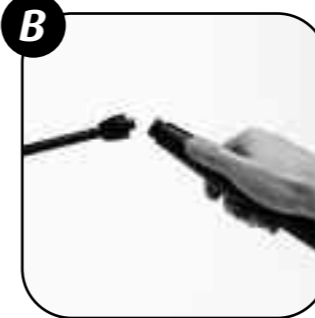
HOW TO USE

KEY PRECAUTIONS

It may take up to one minute to release the fluid from the nozzle on first use
Do not look down the nozzle whilst the sprayer is switched on
NEVER use with solvent based products
Wear eye protection when spraying
Do not switch on unless filled with product or water
Do not point at self or others whilst in use
Keep children, bystanders and pets away during use
Always check and test with water before each use
Read and comply with all instructions and precautions on product labels
Use only with Cuprinol products recommended
Do not overfill
Do not immerse pump component fully in water
Store clean and empty
Do not modify this unit
Do not connect to an external pressure source
Do not use if components are excessively worn
Use only with batteries supplied or recommended, do not connect to external power source
For further advice contact the ICI Paints AkzoNobel Customer Advice Centre on 08444 817 817

TROUBLESHOOTING

- If the Fence & Decking Power Sprayer stops operating, then it is possible that the batteries have run down. This will occur after about 45 to 50 minutes. Please replace the batteries with fresh ones.
- If the Fence & Decking Power Sprayer produces a poor quality spray, then either the nozzle or suction pipe and inlet filter/valve may be blocked. Turn off the Fence & Decking Power Sprayer, remove the nozzle, clean in water (see cleaning) and carefully reassemble. Repeat for the suction pipe and inlet filter.
- If the Fence & Decking Power Sprayer is still pumping but there is no spray from the nozzle, it is possible that either:
 - a) The nozzle is blocked (see cleaning)
 - b) An air lock has occurred in the pump. This may occur if the suction pipe is exposed above the level of the fluid in the tank. Under these circumstances, turn off the Fence & Decking Power Sprayer, unscrew the nozzle and drain the contents of the lance back into the Fence & Decking Power Sprayer tank. Hold the main pump unit in one hand and at the same time hold the lance with the other hand below the level of the pump unit. Switch on and keep running until no fluid is sprayed from the lance (see Fig 1). Carefully reassemble the nozzle, ensuring all the fittings are tight prior to use but do not use a spanner or similar tool to tighten. Reattach to the tank then restart the Fence & Decking Power Sprayer. Please note, it may take 2-3 minutes for fluid to be released from the nozzle.
- If the Fence & Decking Power Sprayer does not operate for any other reason, or components of the product have become damaged, then please contact the ICI Paints AkzoNobel Customer Advice Centre.



A BATTERIES

Remove the battery box from the sprayer by pushing down the tab on upper housing and pulling the battery box out. Insert eight 1.5V C sized batteries into the battery box so that they are lined up to the positive and negative symbols shown in the battery box. Push the tab on the upper housing down and slide the battery box back into the sprayer. The batteries are now inserted and ready for use.

B ASSEMBLY OF COMPONENTS

CAUTION: DO NOT RUN THE SPRAYER DRY (I.E. WITHOUT PRODUCT OR WATER). The majority of components are assembled, however you will need to attach the lance SECURELY to the handle to avoid leaks during use (see picture B). Ensure all fittings are tight prior to use but do not use a spanner or similar tool to tighten.

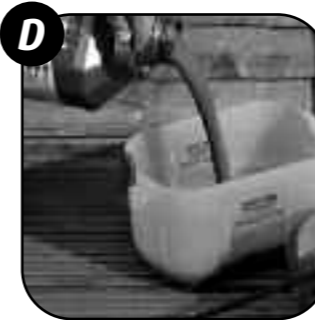
C WATER TESTING

Test for proper assembly and tightness of hose by filling with water and doing a test spray. This is also important to prepare the pump for the treatment fluid. The amount of water in the tank must be at least 3 litres (to ensure that the suction pipe is fully immersed guarding against air locks). Fill by removing the tank cap from the pump body and fill. The Fence & Decking Power Sprayer is switched on by depressing the switch on the handle. Continuous pressure must be applied for the Fence & Decking Power Sprayer to work - releasing the switch will stop the sprayer. It is important to note that the spray may not emerge immediately as it takes up to a minute for the fluid to reach the nozzle. DO NOT LOOK DOWN THE NOZZLE WHILST THE SPRAYER IS SWITCHED ON.

Once water is released from the nozzle, you only need to test spray for a few seconds.
ON REUSE AND AFTER STORAGE: Check all component parts are free of excessive wear and tear; worn parts must not be used. Check for damage to unit and attachments. If damaged do not use. When re-assembled check the system by spraying water before using Cuprinol fluid, to ensure there are no leaks.

D FILLING WITH FLUID

Ensure you have tested the Fence & Decking Power Sprayer with water prior to filling the product (see step C above). SHAKE OR STIR BOTTLE/TIN OF YOUR SELECTED CUPRINOL FLUID THOROUGHLY BEFORE OPENING. Unclip the tank from the Fence & Decking Power Sprayer and, pour contents into the tank (see picture D). When filling the Fence & Decking Power Sprayer for the first time a minimum of 3 litres of fluid is needed to allow the pump to prime effectively. Please note that the Fence & Decking Power Sprayer is designed to hold one 5 litre bottle/tin of fluid. When refilling take care not to overfill, as not all product in the tank will have been sprayed.



E SPRAYING

When first using the Fence & Decking Power Sprayer with Cuprinol products, the pump may take up to a minute to release the fluid from the nozzle. Do not look down the nozzle whilst the Fence & Decking Power Sprayer is switched on. For best results keep the sprayer nozzle approximately 15 to 30cm (6 to 12") from the surface to be coated.

F SPRAYING TECHNIQUE

Using a slow, sweeping motion, spray horizontally across the area to be coated by turning at the end and overlapping approximately half of the previous pass each time (see picture E). This should ensure that you achieve an even finish. An alternative technique for spraying large areas such as sheds or summerhouses, is to adopt a small circular motion, rather than spraying in a horizontal line. As with any sprayer it may take a couple of minutes to perfect your technique. Vary the distance of the nozzle from the surface of the wood until you get the best finish. Begin slowly and increase the pace as you get used to spraying. Take care not to spray too quickly as this may result in an uneven finish. Similarly, spraying too slowly will result in excess product being applied causing runs. Should this happen, simply even out with a brush.

The Cuprinol Fence & Decking Power Sprayer has a very controlled spray pattern, however, as with any spray product a limited amount of overspray will be created. This can be minimised by avoiding spraying in windy conditions and by using cardboard or plastic as a shield. Masking off windows, doors, patios, brickwork, gutters, downpipes, fascias, drains, plants etc., is recommended when spraying outdoor buildings such as sheds and summerhouses. Any overspray should be cleaned up immediately, whilst still wet, with water and household detergent if necessary. Excessive spillage on plants should be rinsed off immediately before drying. If the Fence & Decking Power Sprayer stops spraying, check if the batteries need changing, if the nozzle has become blocked (see cleaning) or if an airlock has occurred (see troubleshooting).

G REFILLING

Switch off sprayer and refill using procedure in step D. Take care not to overfill.
CAUTION: DO NOT TAMPER WITH THE SPRAYER WHEN IT IS SWITCHED ON AT ANY STAGE.

H FINISHING

Any unused fluid can be removed from the Cuprinol Fence & Decking Power Sprayer and retained for future use. Simply unscrew the tank cap from the pump body and pour the remaining product back into the original fluid container (see picture H).

